

## 1 Description

The RLV430 thermostat can be used to control an electric heating system such as a baseboard heater, a radiant floor, a radiant ceiling, a convector or a fan-forced heater.

The thermostat cannot be used with the following:

- a resistive load under 2 A
- a resistive load over 14.6 A
- systems driven by a contactor or a relay (inductive load)
- central heating systems

### SUPPLIED PARTS

- One (1) thermostat
- Two (2) 6-32 mounting screws
- Two (2) solderless connectors

## 2 Installation

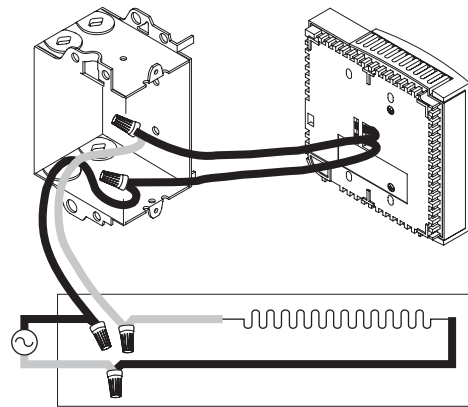
**TURN OFF POWER TO THE HEATING SYSTEM AT THE MAIN POWER PANEL TO AVOID ELECTRICAL SHOCK.**

- ▶ All cables and connections must comply with local electrical codes.
- ▶ This thermostat has tinned copper wires for line and load connections. Special CO/ALR solderless connectors must be used if these wires will be connected to aluminium conductors.
- ▶ Install the thermostat onto an electrical box.
- ▶ Install the thermostat about 5 feet (1.5 m) high, on an inside wall facing the heater.
- ▶ Avoid locations where there are air drafts (such as the top of a staircase or an air outlet), dead air spots (such as behind a door), or direct sunlight.
- ▶ Do not install the thermostat on a wall that conceals chimney or stove pipes.
- ▶ The thermostat wires are not polarized; either wire can be connected to the load or to the power supply.

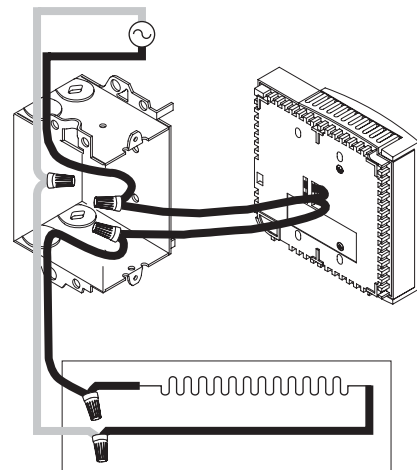
### 1) Connect the thermostat

Connect the thermostat wires to the power and to the load using solderless connectors for copper wires.

#### 2-wire installation



#### 4-wire installation

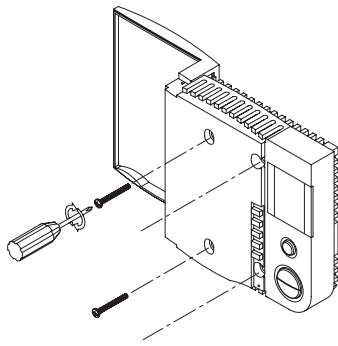


## 2) Mount the thermostat

Push the excess wires back inside the electrical box.

Secure the thermostat to the electrical box using the provided screws.

Insert the screws through either the right or left pair of mounting holes on the thermostat.



## 3) Complete the installation

**NOTE:** If there is a protective film or sticker on the thermostat's screen, peel it off.

Apply power to the heating system. Verify the installation by checking that the heater can be turned On and Off by raising and lowering the setpoint using the **Up** and **Down** buttons.

**WARNING:** Keep the thermostat's air vents clean and free from obstructions.

## 3 Temperature Display and Setting

The thermostat normally displays the room (measured) temperature.

- To view the set temperature (setpoint), press the **Up** or **Down** button once.
- To change the setpoint, press the **Up** or **Down** button until the desired setpoint is displayed.

## 4 Configuration

The factory settings are inside the shaded cells of the following table.

Temperature display	°F	°C
Time display	12 h	24 h
Temperature control	Proportional (15-second cycles)	Conventional (± 0.9°F deadband)

**WARNING:** The clock loses its setting whenever you change the thermostat's configuration.

### Temperature display

To change the temperature display between °C and °F:

- Open the thermostat's door.
- Press and hold the **Day** button.
- Insert a pointed object (e.g., paperclip) in the reset opening. Remove it when the thermostat's screen becomes blank.
- Wait one second and release the **Day** button.

## Time display

To switch between the 12-hour format and the 24-hour format:

- Open the thermostat's door.
- Press and hold the **Hour** button.
- Insert a pointed object (e.g., paperclip) in the reset opening. Remove it when the thermostat's screen becomes blank.
- Wait one second and release the **Hour** button.

## Control type

- Use proportional control (default setting) in most cases as it provides better temperature control.
- Use conventional control if you have a fan-forced heater.

**Fan** is displayed when conventional control is selected. To switch between the two types of control:

- Open the thermostat's door.
- Press and hold the **Min** button.
- Insert a pointed object (e.g., paperclip) in the reset opening. Remove it when the thermostat's screen becomes blank.
- Wait one second and release the **Min** button.

## 5 Clock and Day Setting

The clock must be set when **Time** flashes on the screen.

- Open the thermostat's door.
- Press the **Day** button to set the day.
- Use the **Hour** and **Min** buttons to set the clock.
- Press the **←** button to exit.



## 6 Modes of Operation

The thermostat has three modes of operation:

### Automatic (programmable) mode

To use the Automatic mode, press the Mode button until **Auto** is selected (outlined) on the screen. The current period number will appear.

In this mode, the thermostat automatically adjust its temperature setpoint according to the period of the day (wake up, leave for work, return home and sleep).

You can program up to 4 periods in a day. You can set 2 different programs: one for the weekdays (Monday to Friday) and another one for the weekend (Saturday and Sunday).



The thermostat is preprogrammed with the following schedule:

Period		Monday to Friday		Saturday & Sunday	
		Start Time	Temperature	Start Time	Temperature
1	Wake	6:00 AM	70°F (21°C)	6:00 AM	70°F (21°C)
2	Leave	8:00 AM	62°F (16°C)	--	--
3	Return	6:00 PM	70°F (21°C)	--	--
4	Sleep	10:00 PM	62°F (16°C)	10:00 PM	62°F (16°C)

To temporarily override the current setpoint, set the desired temperature using the **Up** or **Down** button. The new setpoint will be used until the beginning of the next period.

#### To modify the schedule:

- ❶ Press the Mode button until **Auto** is selected.
- ❷ Press **Pgm**.

Each time you press the **Pgm** button, the thermostat displays one of the periods of the schedule in the following order (from left to right):

Weekdays				Weekend			
MO TU WE TH FR				SA SU			
1	2	3	4	1	2	3	4

- ❸ Set the start time for the displayed period using the **Hour** and **Min** buttons.  
*NOTE: To deactivate the period, press the Mode button. Instead of displaying the start time of the period, the thermostat will display --:--. During operation, the thermostat will skip over that period.*
- ❹ Set the temperature for the period using the **Up** or **Down** button.
- ❺ Repeat steps 2 to 4 for remaining periods.
- ❻ Press the ↵ button to return the thermostat to normal operation.

#### Manual (hold) mode

To use this mode, press the Mode button until **Man** is selected (outlined) on the screen. Set the desired temperature using the **Up** or **Down** button.

In this mode, any modification to the temperature setpoint must be done manually.



#### Economy mode

To use the economy mode, press the Mode button until **Econo** is selected (outlined) on the screen. This mode is ideal for weekend residences as it can be used as follows: The temperature is kept at an economy level during most of your absence and is raised to a comfortable level by your usual arrival time. If you do not show up, the temperature returns to the economy level until next weekend.



The economy mode has two periods which should be set as follows:

Period	Temperature Setting	Start Time Setting
1	Set to a comfortable level.	Set the day and time that you want the temperature to start rising so that a comfortable level is attained by the time you arrive.
2	Set to an economy level.	Set the day and time that you want the temperature to start dropping to an economy level if you do not show up.

The economy mode should be used as follows:

- ▶ Place the thermostat in economy mode during your absence.
- ▶ When you arrive, place the thermostat in automatic mode or in manual mode before the temperature drops back to the economy level.
- ▶ When you leave, switch the thermostat back to economy mode.

#### To program the two periods of the economy mode:

- ❶ Press the Mode button until **Econo** is selected.
- ❷ Press the **Pgm** button. The first period is displayed.
- ❸ Set the start day for the displayed period using the **Day** button.
- ❹ Set the start time using the **Hour** and **Min** buttons.
- ❺ Set the temperature for the period using the **Up** or **Down** button.
- ❻ Press the **Pgm** button to select the next program (2).
- ❼ Repeat steps 2 to 4 to set the day, time and temperature.
- ❽ Press the ↵ button to return the thermostat to normal operation.

## 7 Thermostat Reset

**WARNING:** When the thermostat is reset, all parameters (clock, configuration and schedules) return to their default settings.

- ❶ Open the thermostat's door.
- ❷ Press and hold the **Pgm** button.
- ❸ Insert a pointed object (e.g., paperclip) in the reset opening. Remove it when the thermostat's screen becomes blank.
- ❹ Wait one second and release the **Pgm** button.

## 8 Power Outage

During a power outage, the thermostat display remains lit for approximately the next 15 minutes during which the **LP** (low power) indicator appears. The settings are stored in memory. However, if the power failure exceeds 5 hours, only the thermostat's clock must be re-adjusted. When power returns, the thermostat returns to the mode of operation preceding the power outage.

## 9 Troubleshooting

PROBLEM	SOLUTIONS
Thermostat's housing is hot.	This is normal. When the thermostat is running at full capacity, its housing can reach 104°F (40°C).
Wrong temperature is displayed.	Correct if any the following conditions applies: <ul style="list-style-type: none"> <li>The thermostat is exposed to an air draft.</li> <li>The sticker on the thermostat's screen has not been removed.</li> <li>The thermostat is located near or above a heat source such as a light dimmer.</li> </ul>
Wrong time is displayed.	The thermostat was without power for more than 5 hours.
Temperature does not change according to the programmed schedule.	<ul style="list-style-type: none"> <li>Ensure the thermostat is in Automatic mode.</li> <li>Check the clock and the schedule. If the thermostat is configured for 12-hour format, ensure that <b>PM</b> appears on the screen when afternoon times are displayed.</li> </ul>
<b>LP</b> reappears on the screen and disappears after a few minutes.	The thermal protection device on the heater has temporarily opened. This can happen if the heater is obstructed by furniture or curtain and has overheated, or if the heater's thermal protection device is too sensitive.
Display looks faded when heating is activated.	The load of the heating system is probably less than the required minimum. This thermostat cannot be used for loads below that rating.

## 10 Specifications

**Supply:** 120/240 VAC, 60 Hz

**Power consumption (off):** 860 mW

**Minimum load:** 2 A (resistive only)  
500 W @ 240 VAC  
250 W @ 120 VAC

**Maximum load:** 14.6 A (resistive only)  
3500 W @ 240 VAC  
1750 W @ 120 VAC

**Display range:** 32°F to 99°F (0°C to 70°C)

**Setpoint range:** 40°F to 80°F (5°C to 27°C)

**Resolution:** 1°F (1°C)

**Storage temperature:** -4°F to 120°F (-20°C to 50°C)

**Dimensions:** 4.8 x 4.5 x 1 inches (120 x 115 x 26 mm)

**Approval:** CSA / UL

## ✓ Warranty

Honeywell warrants this product, excluding battery, to be free from defects in the workmanship or materials, under normal use and service, for a period of one (1) year from the date of purchase by the consumer. If at any time during the warranty period the product is determined to be defective or malfunctions, Honeywell shall repair or replace it (at Honeywell's option).

If the product is defective,

- (i) return it, with a bill of sale or other dated proof of purchase, to the place from which you purchased it, or
- (ii) call Honeywell Customer Care at 1-800-468-1502. Customer Care will make the determination whether the product should be returned to the following address: Honeywell Return Goods, Dock 4 MN10-3860, 1885 Douglas Dr N, Golden Valley, MN 55422, or whether a replacement product can be sent to you.

This warranty does not cover removal or reinstallation costs. This warranty shall not apply if it is shown by Honeywell that the defect or malfunction was caused by damage which occurred while the product was in the possession of a consumer.

Honeywell's sole responsibility shall be to repair or replace the product within the terms stated above. HONEYWELL SHALL NOT BE LIABLE FOR ANY LOSS OR DAMAGE OF ANY KIND, INCLUDING ANY INCIDENTAL OR CONSEQUENTIAL DAMAGES RESULTING, DIRECTLY OR INDIRECTLY, FROM ANY BREACH OF ANY WARRANTY, EXPRESS OR IMPLIED, OR ANY OTHER FAILURE OF THIS PRODUCT. Some states do not allow the exclusion or limitation of incidental or consequential damages, so this limitation may not apply to you.

THIS WARRANTY IS THE ONLY EXPRESS WARRANTY HONEYWELL MAKES ON THIS PRODUCT. THE DURATION OF ANY IMPLIED WARRANTIES, INCLUDING THE WARRANTIES OF MERCHANTABILITY AND FITNESS FOR A PARTICULAR PURPOSE, IS HEREBY LIMITED TO THE ONE-YEAR DURATION OF THIS WARRANTY. Some states do not allow limitations on how long an implied warranty lasts, so the above limitation may not apply to you.

This warranty gives you specific legal rights, and you may have other rights which vary from state to state.

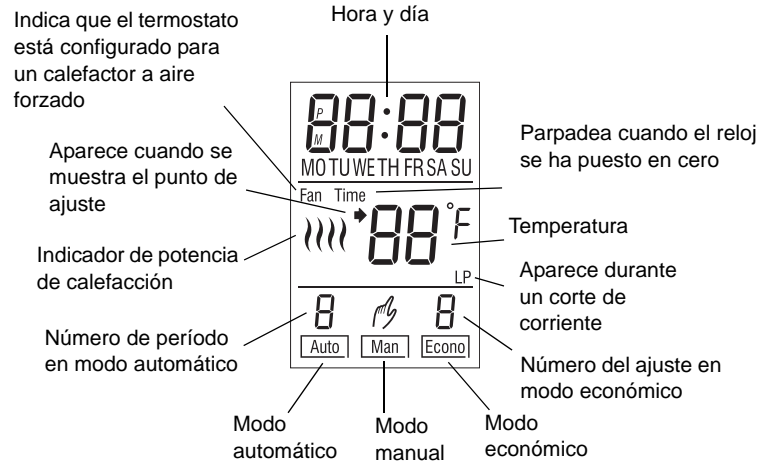
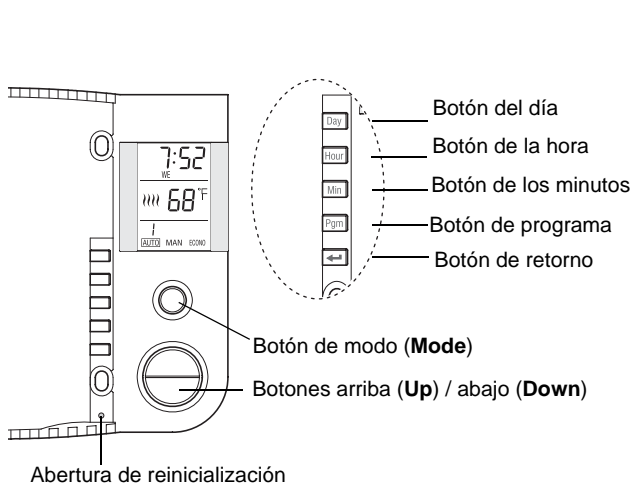
If you have any questions concerning this warranty, please write Honeywell Customer Relations, 1985 Douglas Dr, Golden Valley, MN 55422 or call 1-800-468-1502. In Canada, write Retail Products ON15-02H, Honeywell Limited/Honeywell Limitée, 35 Dynamic Drive, Scarborough, Ontario M1V4Z9.

## ☎ Customer Assistance

If you have any questions about the operation of your thermostat, please go to <http://yourhome.honeywell.com>, or call Honeywell Customer Care toll-free at **1-800-468-1502**.



As an ENERGY STAR® partner, Honeywell has determined that this product meets the ENERGY STAR guidelines for energy efficiency.



## 1 Descripción

El termostato RLV430 se puede utilizar para controlar un sistema de calefacción eléctrico, como un calentador de zócalo, un cielorraso o un piso radiante, un convector o un calefactor a aire forzado.

El termostato no se puede usar con:

- Una carga resistiva inferior a 2 A
- Una carga resistiva superior a 14,6 A
- Sistemas accionados por un interruptor automático o un relé (con carga inductiva)
- Sistemas de calefacción central

### PARTES SUMINISTRADAS

- Un (1) termostato
- Dos (2) tornillos de montaje de 6-32
- Dos (2) conectores sin soldadura

## 2 Instalación

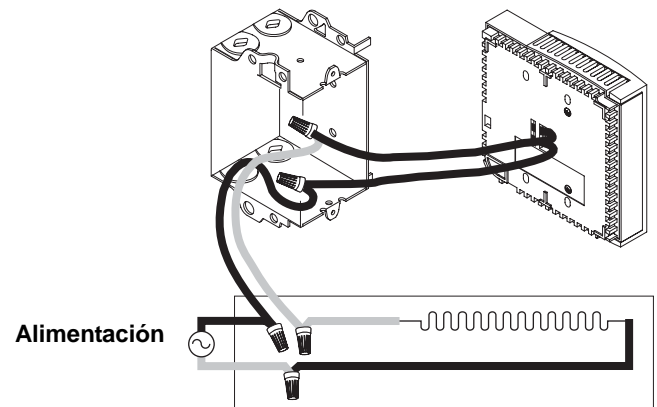
**CORTAR LA ALIMENTACIÓN DEL SISTEMA DE CALEFACCIÓN PARA EVITAR RIESGOS DE ELECTROCUCIÓN.**

- ▶ Los cables y las conexiones deben cumplir con el código eléctrico local.
- ▶ Este termostato tiene cables de cobre estañado en las conexiones a la línea y a la carga. Deben utilizarse conectores especiales sin soldadura CO/ARL si estos cables se conectan con conductores de aluminio.
- ▶ Instalar el termostato en una caja eléctrica.
- ▶ Instalar el termostato a aproximadamente 5 pies (1.5 m) de altura, en una pared interior que esté frente al calentador.
- ▶ Evitar colocarlo en lugares donde haya corrientes de aire (como la parte superior de una escalera o una salida de aire), en lugares donde el aire esté viciado (p. ej.: detrás de una puerta), o en espacios que reciban la luz directa del sol.
- ▶ No se debe instalar el termostato en una pared que oculte conductos de estufas o chimeneas.
- ▶ Los cables del termostato no están polarizados (cualquiera de los cables se puede conectarse a la carga o a la alimentación).

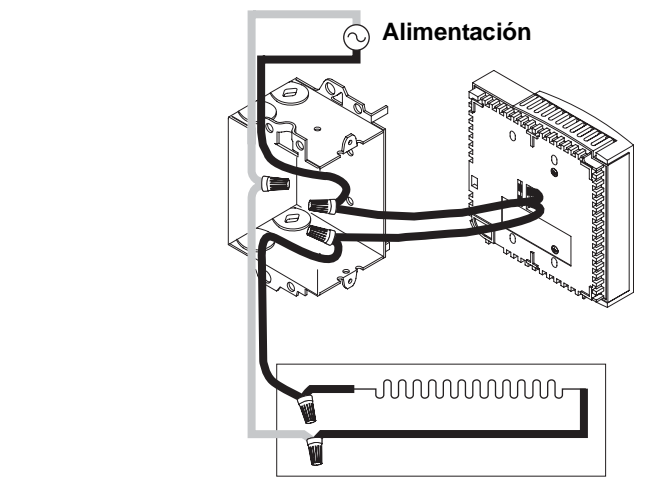
## 1) Conexión del termostato

Conectar los cables del termostato a la fuente de alimentación y a la carga, utilizando conectores sin soldadura para cables de cobre.

### Instalación de 2 cables



### Instalación de 4 cables

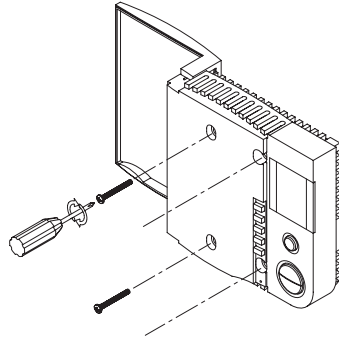


## 2) Montaje del termostato

Colocar los cables sobrantes dentro de la caja eléctrica.

Sujetar el termostato en la caja eléctrica con los tornillos que se suministran.

Colocar los tornillos en cualquiera de los pares (de la derecha o de la izquierda) de orificios de montaje del termostato.



## 3) Completar la instalación

**NOTA:** retirar la película protectora que puede haber sobre la pantalla del termostato.

Conectar el sistema de calefacción. Verificar la instalación asegurándose de que el calentador pueda encenderse (ON) o apagarse (OFF) aumentando y disminuyendo el punto de ajuste por medio de los botones **Up** (arriba) y **Down** (abajo).

**ADVERTENCIA:** mantener las rejillas de ventilación del termostato limpias y libre de obstrucciones.

## 3 Visualización y ajuste de la temperatura

Normalmente, el termostato indica la temperatura ambiente medida.

- Para ver el punto de referencia, pulsar una vez cualquiera de los botones **Up** o **Down**.
- Para cambiar el punto de ajuste, presionar el botón que corresponda hasta que aparezca el valor deseado.

## 4 Configuración

La configuración de fábrica aparece en la columna grisada del cuadro siguiente.

Pantalla de la temperatura	°F	°C
Pantalla de la hora	12 horas	24 horas
Control de temperatura	Proporcional (ciclos de 15 segundos)	Convencional (banda inactiva ± 0.9 °F)

**Advertencia:** el reloj pierde su ajuste cuando se cambia la configuración del termostato.

### Pantalla de la temperatura

Para cambiar la temperatura entre °C y °F:

- 1 Abrir la puerta del termostato.
- 2 Mantener presionado el botón **Day**.
- 3 Introducir un objeto con punta (p. ej.: un gancho para papeles) a través de la abertura de reinicialización. Retirarlo cuando la pantalla del termostato se ponga en blanco.
- 4 Esperar un segundo y soltar el botón **Day**.

### Pantalla de la hora

Para cambiar entre el formato de 12 y el de 24 horas:

- 1 Abrir la puerta del termostato.
- 2 Mantener presionado el botón **Hour**.

- 3 Introducir un objeto con punta (p. ej.: un gancho para papeles) a través de la abertura de reinicialización. Retirarlo cuando la pantalla del termostato se ponga en blanco.
- 4 Esperar un segundo y soltar el botón **Hour**.

## Control de temperatura

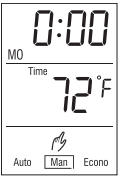
- ▶ Seleccionar el control proporcional en la mayoría de los casos, ya que mejora el control de la temperatura.
- ▶ Debe seleccionarse el control convencional si se trata de un calefactor a aire forzado.

El indicador **Fan** aparece cuando se selecciona el control convencional. Para cambiar entre los dos tipos de control:

- 1 Abrir la puerta del termostato.
- 2 Mantener presionado el botón **Min**.
- 3 Introducir un objeto con punta (p. ej.: un gancho para papeles) a través de la abertura de reinicialización. Retirarlo cuando la pantalla del termostato se ponga en blanco.
- 4 Esperar un segundo y soltar el botón **Min**.

## 5 Ajuste de la fecha y la hora

Cuando el indicador **Time** parpadea en la pantalla, se debe ajustar el reloj.



- 1 Abrir la puerta del termostato.
- 2 Presionar el botón **Day** para fijar el día.
- 3 Presionar los botones **Hour** y **Min** para ajustar el reloj.
- 4 Presionar **↵** para salir.

## 6 Modos de funcionamiento

El termostato tiene tres modos de funcionamiento:

### Modo automático (programable)

Para usar el modo automático, presionar el botón de selección de modo hasta que aparezca **Auto** destacado en la pantalla. Aparecerá el número de período que esté en uso en ese momento.



En este modo, el termostato fija automáticamente la temperatura del punto de ajuste según el período del día (despertar, salir para el trabajo, volver a casa y dormir).

Se pueden programar hasta 4 períodos por día. Se pueden fijar hasta 2 programas diferentes: uno para los días de la semana (lunes a viernes) y otro para el fin de semana (sábado y domingo).

El termostato está preprogramado con el horario siguiente:

	Períodos	De lunes a viernes		Sábados y domingos	
		Inicio	Temperatura	Inicio	Temperatura
1	Despertar	6:00 a.m.	70 °F (21 °C)	6:00 a.m.	70 °F (21 °C)
2	Salida	8:00 a.m.	62 °F (16 °C)	--	--
3	Regreso	6:00 p.m.	70 °F (21 °C)	--	--
4	Dormir	10:00 p.m.	62 °F (16 °C)	10:00 p.m.	62 °F (16 °C)

Para cancelar temporalmente el punto de ajuste en uso se debe fijar la temperatura deseada con los botones **Up** o **Down**. El nuevo punto de ajuste se utilizará hasta el principio del período siguiente.

## Para modificar el horario:

- ❶ Presionar el botón de selección de modo hasta que aparezca **Auto**.
- ❷ Presionar el botón **Pgm**.

Cada vez que se presiona el botón **Pgm** se visualizan los períodos del horario en el orden siguiente (de derecha a izquierda):

Días de la semana (LU MA MI JU VI)				Fines de semana (SA DO)			
1	2	3	4	1	2	3	4

- ❸ Establecer la hora de comienzo del período que se visualiza utilizando los botones **Hour** y **Min**. Para saltar un período, no se debe fijar una hora de inicio para dicho período.

**NOTA:** para desactivar un período, presionar el botón **Mode**. En lugar de visualizar la hora de inicio del período, se verá --. Cuando esté funcionando, el termostato saltará ese período.

- ❹ Fijar la temperatura del período utilizando los botones **Up** o **Down**.
- ❺ Repetir los pasos 2 a 4 para los demás períodos.
- ❻ Presionar el botón  $\leftarrow$  para volver al funcionamiento normal del termostato.

## Modo manual (retención)

Para usar este modo, se debe presionar el botón **Mode** hasta que **Man** (manual) esté seleccionado (destacado) en la pantalla. Se puede fijar entonces la temperatura deseada utilizando los botones **Up** o **Down**.

En el modo manual, toda modificación al punto de ajuste de la temperatura se debe hacer manualmente.



## Modo Economía

Para usar el modo Economía, se debe presionar el botón **Mode** hasta que **Econo** quede seleccionado (destacado) en la pantalla. Este modo es ideal para residencias de fin de semana, ya que puede utilizarse para mantener la temperatura en un nivel de economía durante cuando la casa está deshabitada y aumentarse a un nivel de confort a la hora habitual de la llegada de los dueños. Si éstos no llegan, la temperatura vuelve al nivel de economía hasta el próximo fin de semana.

El modo Economía tiene dos períodos que pueden fijarse de la siguiente manera:

Período	Ajuste de la temperatura	Ajuste de la hora de inicio
1	Fijarlo en un nivel confortable.	Establecer el día y la hora a los que se desea que la temperatura comience a subir, para que llegue a un nivel de confort a la llega de los moradores.
2	Fijarlo en un nivel de economía	Establecer el día y la hora a los que se desea que la temperatura comience a bajar a un nivel de economía si nadie se presenta en la casa.

El modo Economía debe usarse de la siguiente manera:

- ▶ Dejar el termostato en modo Economía cuando la casa está deshabitada.
- ▶ Cuando llegan, los dueños de casa colocan el termostato en modo automático o manual antes de que la temperatura comience a descender nuevamente al nivel de economía.
- ▶ Cuando se van, vuelven a colocar nuevamente el termostato en el modo economía.

## Programación de los dos períodos del modo Economía:

- ❶ Presionar el botón de selección de modo hasta que aparezca **Econo**.
- ❷ Presionar el botón **Pgm**. Aparece el primer período.
- ❸ Fijar la hora de comienzo para el período que se indica utilizando el botón **Day**.
- ❹ Seleccionar la hora de inicio utilizando los botones **Hour** y **Min**.
- ❺ Fijar la temperatura para el período utilizando los botones **Up** o **Down**.
- ❻ Presionar el botón **Pgm** para seleccionar el siguiente programa (2).
- ❼ Repetir los pasos 2 a 4 para fijar el día, la hora y la temperatura.
- ❽ Presionar  $\leftarrow$  para volver el termostato a su funcionamiento normal.

## 7 Reinicialización del termostato

**Advertencia:** cuando se reinicializa el termostato, todos los parámetros (hora y día, configuración y horarios) vuelven a los valores de fábrica.

- ❶ Abrir la puerta del termostato.
- ❷ Mantener presionado el botón **Pgm**.
- ❸ Introducir un objeto con punta (p. ej.: un gancho para papeles) a través de la abertura de reinicialización. Retirarlo cuando la pantalla del termostato se ponga en blanco.
- ❹ Esperar un segundo y soltar el botón **Pgm**.

## 8 Corte de corriente

Si ocurriera un corte de corriente, la pantalla del termostato permanecerá encendida durante 15 minutos, aproximadamente, y aparecerá el indicador de baja energía (LP). Las configuraciones están almacenadas en la memoria. No obstante, si el corte de energía durara más de 5 horas, sólo deberá reajustarse el reloj del termostato. Cuando la corriente se reponga el termostato volverá a funcionar en el modo de operación anterior al corte.

## 9 Guía para la solución de problemas

PROBLEMA	SOLUCIONES
El termostato se calienta.	Esto es normal. Cuando funciona a plena capacidad, la caja del termostato puede alcanzar temperaturas de 95 °F a 104 °F (35 °C a 40 °C).
La temperatura indicada es incorrecta.	Puede deberse a alguna de las siguientes condiciones: <ul style="list-style-type: none"> <li>El termostato está expuesto a una corriente de aire.</li> <li>No se ha retirado el autoadhesivo de la pantalla del termostato.</li> <li>El termostato está colocado cerca o sobre una fuente de calor, como un conmutador de luz con potenciómetro ("dimmer").</li> </ul>
La hora que se indica es incorrecta.	El termostato estuvo sin energía durante más de 5 horas.
La temperatura no cambia según el horario programado.	<ul style="list-style-type: none"> <li>Asegurarse de que el termostato esté en modo Automático.</li> <li>Verificar el reloj y el horario. Si el termostato estuviera configurado para 12 horas, asegurarse de que aparezca la mención <b>PM</b> en la pantalla cuando se visualiza la hora por la tarde.</li> </ul>
Los datos indicados en la pantalla desaparecen y vuelven a aparecer luego de unos minutos.	El dispositivo de protección térmica del calentador está abierto temporalmente. Esto puede suceder cuando el calefactor está obstruido por muebles o cortinas y se ha sobrecalentado o si el dispositivo de protección térmica es demasiado sensible.
Los datos indicados en la pantalla empalidecen cuando se activa la calefacción.	El sistema de calefacción tiene probablemente una carga menor que la mínima requerida. Este termostato no puede usarse con cargas por debajo de dicho valor.

## 10 Especificaciones técnicas

**Alimentación:** 120/240 V CA, 60 Hz

**Consumo de energía (apagado):** 860 mW

**Carga mínima:** 2 A (resistiva solamente)  
500 W a 240 V CA  
250 W a 120 V CA

**Carga máxima:** 14,6 A (resistiva solamente)  
3500 W a 240 V CA  
1750 W a 120 V CA

**Margen de visualización:** 32 °F a 99 °F (0 °C a 70 °C)

**Margen del punto de ajuste:** 40 °F a 80 °F (5 °C a 27 °C)

**Resolución:** 1 °F (1 °C)

**Temperatura de almacenamiento:** -4 °F a 120 °F (-20 °C a 50 °C)

**Dimensiones:** 4.8 x 4.5 x 1 pulgadas (120 mm x 115 mm x 26 mm)

**Aprobación:** CSA/UL (Underwriter's laboratories, Asociación de Aseguradoras de Estados Unidos).

## ✓ Garantía

Honeywell garantiza por un período de un (1) año, a partir de la fecha de compra por el consumidor, que este producto, sin incluir las baterías, no presentará defectos en los materiales ni en lo referente a la mano de obra, en condiciones normales de uso y de servicio. Si en cualquier momento, durante el período de vigencia de la garantía, se determina que el producto es defectuoso o que funciona mal, Honeywell lo reparará o lo reemplazará (a elección de Honeywell).

Si el producto es defectuoso:

- Devuélvalo al lugar donde lo compró, acompañado por la factura de compra o de otra prueba de compra que incluya la fecha.
- Llame al servicio de atención al cliente de Honeywell, al 1-800-468-1502. El servicio de atención al cliente determinará si el producto debe devolverse a la siguiente dirección: Honeywell Return Goods, Dock 4 MN10-3860, 1885 Douglas Dr N, Golden Valley, MN 55422; o si se le enviará un producto de reemplazo.

Esta garantía no cubre los costos de desinstalación y reinstalación. Esta garantía no será válida si se demuestra que el defecto o el mal funcionamiento se deben a un daño que ocurrió cuando el producto estaba en posesión del consumidor.

La única responsabilidad de Honeywell será la de reparar o reemplazar el producto de acuerdo con los términos aquí establecidos. HONEYWELL NO SERA RESPONSABLE DE NINGUNA PERDIDA NI DE NINGUN DAÑO DE NINGUN TIPO, INCLUIDOS LOS DAÑOS IMPREVISTOS O DERIVADOS QUE RESULTEN, DIRECTA O INDIRECTAMENTE, DEL INCUMPLIMIENTO DE CUALQUIER GARANTIA, EXPRESA O IMPLICITA, O DE CUALQUIER OTRA FALLA DE ESTE PRODUCTO. Algunos estados no permiten la exclusión o la limitación de los daños imprevistos o derivados, por lo tanto, es posible que la limitación no se aplique.

ESTA ES LA UNICA GARANTIA EXPRESA QUE HONEYWELL HACE SOBRE ESTE PRODUCTO. LA DURACION DE CUALQUIER GARANTIA IMPLICITA, INCLUIDAS LAS GARANTIAS DE APTITUD E IDONEIDAD PARA UN FIN DETERMINADO, QUEDA, POR EL PRESENTE, LIMITADA A LA DURACION DE UN AÑO DE ESTA GARANTIA. Algunos estados no permiten limitaciones en cuanto a la duración de las garantías implícitas. Por lo tanto, es posible que la limitación anterior no se aplique en su caso.

Esta garantía le brinda derechos legales específicos, y usted puede tener otros derechos que varían para cada estado.

Si tiene preguntas acerca de esta garantía, escriba a Honeywell Customer Relations, 1985 Douglas Dr, Golden Valley, MN 55422, o llame al 1-800-468-1502. En Canadá, escriba a Retail Products ON15-02H, Honeywell Limited/Honeywell Limitée, 35 Dynamic Drive, Scarborough, Ontario M1V4Z9.

## ☎ Asistencia al cliente

Si tiene preguntas acerca del funcionamiento del termostato, visite <http://yourhome.honeywell.com> o llame sin cargo al servicio de atención al cliente de Honeywell, al **1-800-468-1502**.



Como socio de ENERGY STAR®, Honeywell ha determinado que este producto cumple con las pautas de Energy Star para un uso eficaz de la energía.